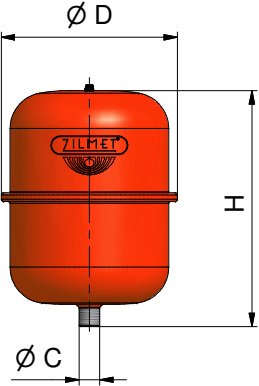




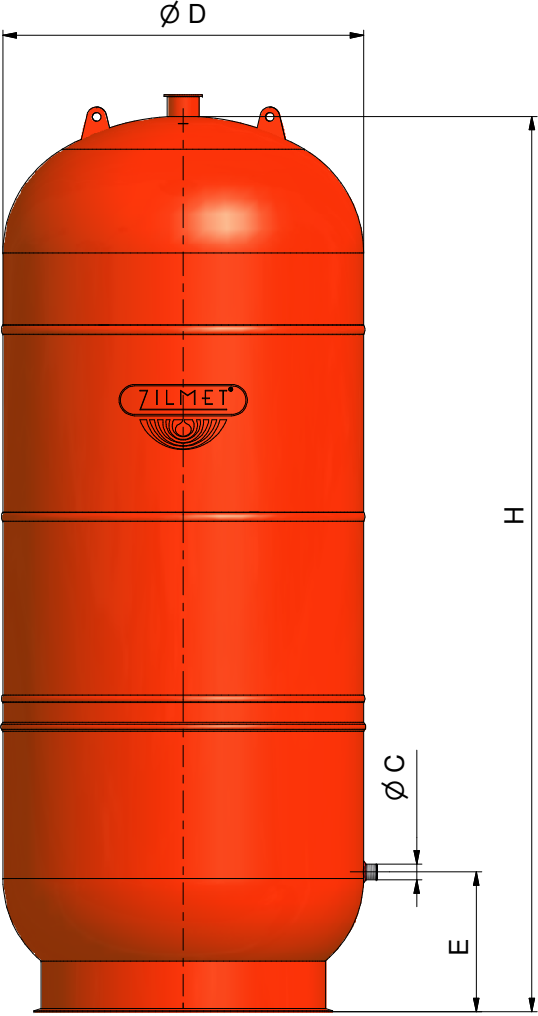
Technical drawing CAL PRO

This drawing is property of company Zilmet S.p.A. All rights reserved

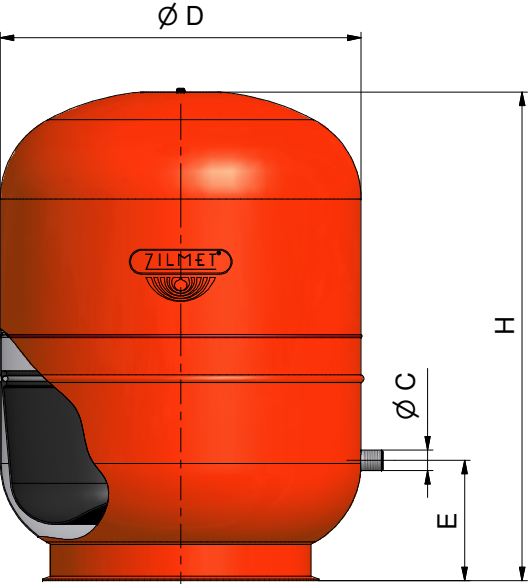
4 ÷ 50 L



400 ÷ 900 L



80 ÷ 500 L



35 ÷ 50 L w.f.

